



SERVICE PARTS LIST

**BULLETIN NO.
54-QC-F324**

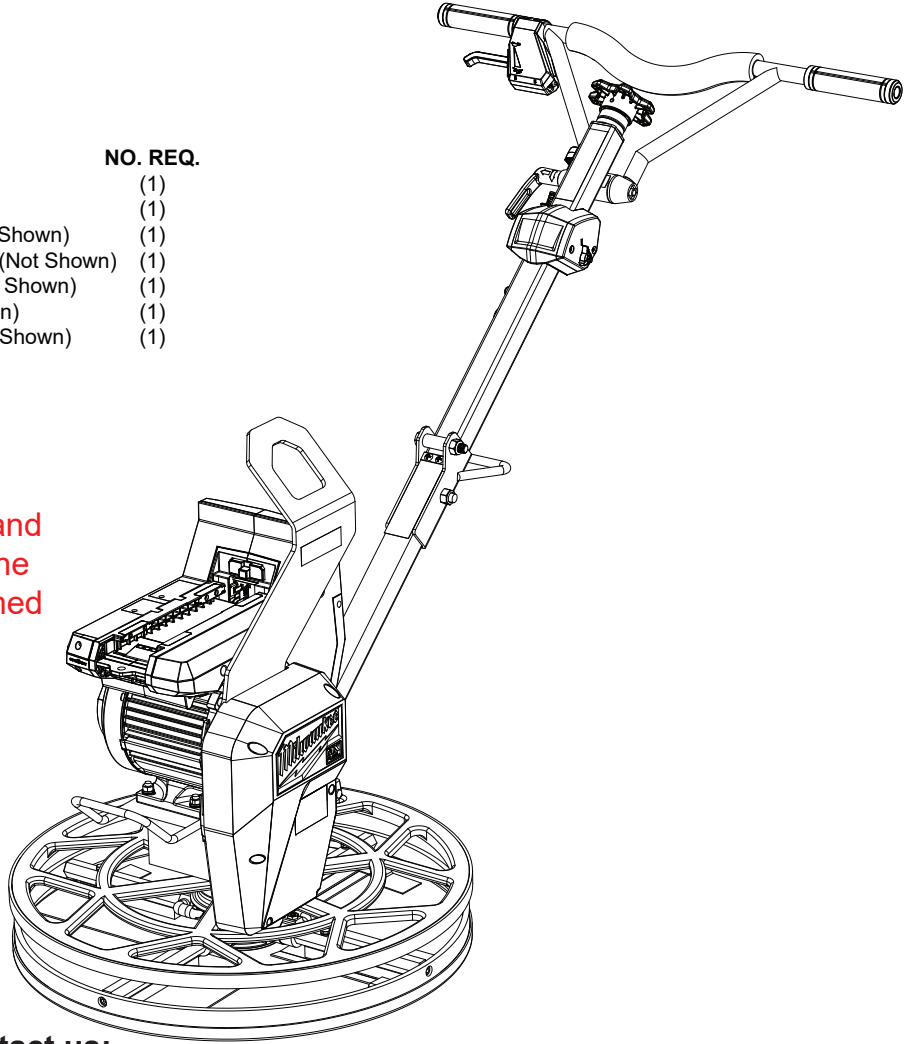
SPECIFY CATALOG NO. AND SERIAL NO. WHEN ORDERING PARTS			REVISED BULLETIN	DATE
MX FUEL™ 24" Walk-Behind EDGING TROWEL				Jan. 2024
CATALOG NO.	MXF324	SERIAL NO.	N41A	
			WIRING INSTRUCTION	

FIG.	PART NO.	DESCRIPTION OF PART	NO. REQ.
1	12-20-9910	Service Nameplate (Not Shown)	(1)
2	10-20-5854	Lift Warning Label (Not Shown)	(1)
3	10-20-5829	Moving Part Warning Label (Not Shown)	(1)
4	10-20-5856	Outer Belt Guard Warning Label (Not Shown)	(1)
5	10-22-0318	Handle Tube Warning Label (Not Shown)	(1)
6	10-22-1535	Logo Label - UI Panel (Not Shown)	(1)
7	10-22-1536	Logo Label - Arming Button (Not Shown)	(1)

Only maintenance, service, repairs, and replacements of parts as defined in the Operator's Manual should be performed by the user.

All other repairs are to ONLY be performed by personnel authorized by MILWAUKEE TOOL.

Do not attempt to install other parts; this could void your tool warranty.



For service, parts, or inquiries, contact us:

- Customer Service at 1.800.SAWDUST (1.800.729.3878)
- E-Service tool repair at: www.milwaukeetool.com/e-service
- Find a local authorized MILWAUKEE service location at Milwaukeetool.com
- Find a MILWAUKEE factory Service Center Location or MILWAUKEE factory Central Repair Center at Milwaukeetool.com. Send the following, posted paid and insured:
 - Your name, address, and phone number
 - Description of the issues
 - Copy of the proof of purchase
 - Tool, charger, and batteries involved with the issues

MILWAUKEE factory Central Repair Centers:

MILWAUKEE TOOL
Central Repair
1401 Sycamore Avenue
Greenwood, MS 38930

MILWAUKEE TOOL
Central Repair
2198 Southtech Drive
Greenwood, IN 46143